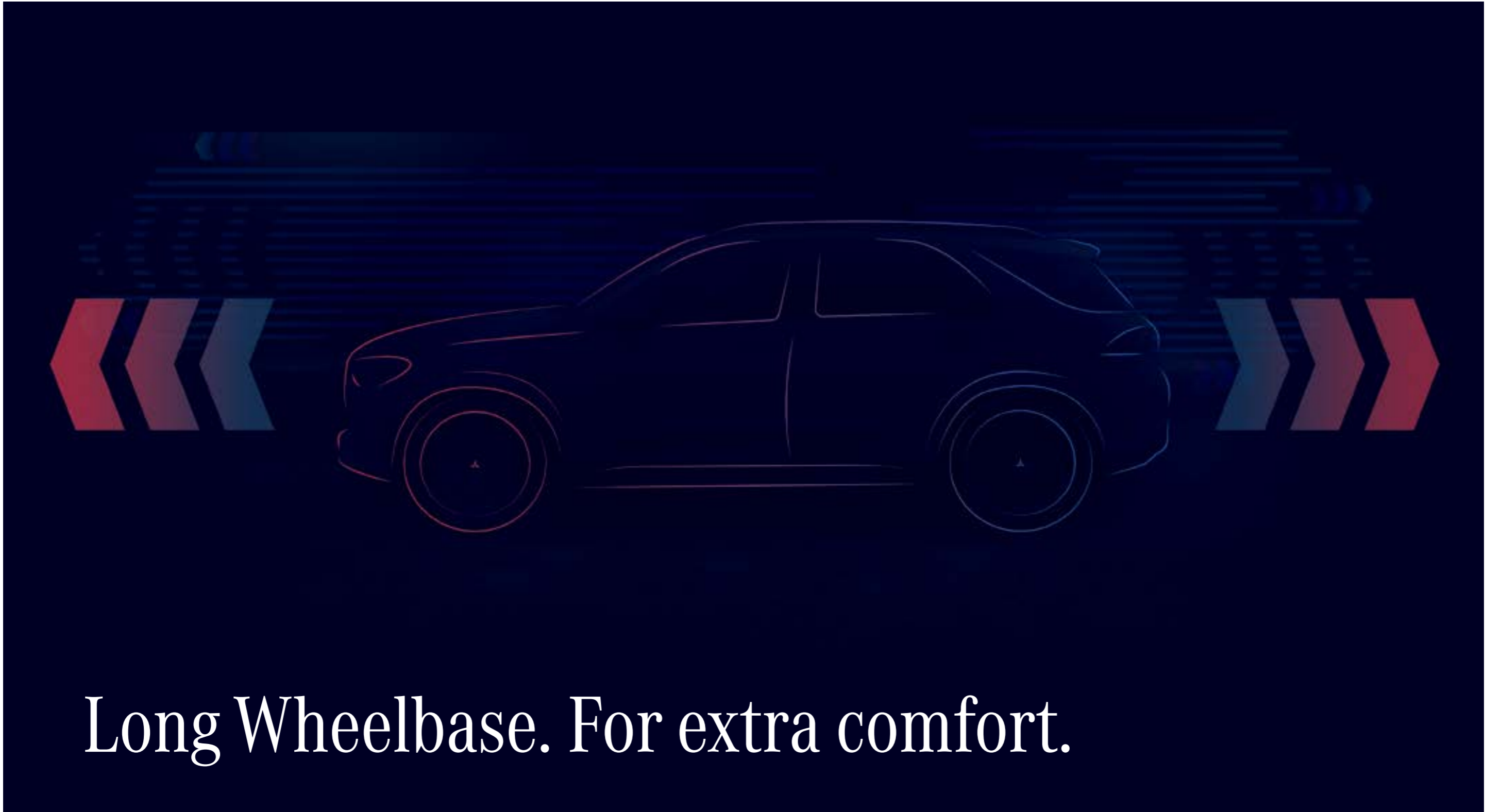


The all-New GLE LWB. All kinds of strength.



Mercedes-Benz





*Please read the disclaimer



Mercedes-Benz GLE LWB

Engine



GLE 400d 4MATIC LWB

The most powerful diesel engine in the history of Mercedes-Benz bundles together state-of-the-art technology components. As a result, the engine sets standards in terms of agility and consumption. More than an additional bonus: the six-cylinder in-line engine boasts an unsurpassed level of refinement. World premiere in the passenger car for the combustion process featuring stepped combustion bowls. This combustion process reduces the thermal load on individual components. In addition, even better use is made of the air and the combustion speed is increased - this improves efficiency and reduces particulate emissions. The process gets its name from the shape of the combustion pocket in the piston.

GLE 300d 4MATIC LWB

This 4-cylinder diesel engine of the latest generation gives a lot but take little. This is thanks to their particularly light, compact design and minimal frictional losses. Significantly less noise and vibrations bring the level of refinement virtually to that of petrol engines. This stepped bowl combustion system reduces the thermal load on individual components. In addition, even better use is made of the air and the combustion speed is increased - this improves efficiency and reduces particulate emissions. The process gets its name from the shape of the combustion pocket in the piston. The OM654 In-line 4-cylinder engine comes with 180 kW (245 hp) of power and 500 Nm of Torque.





9G-TRONIC

Let your vehicle take care of changing gears: you will barely notice the gear changes made by the 9G-TRONIC automatic transmission. Nine gears enable low engine speeds, which reduces your fuel consumption and ensures a more pleasant noise level. When you select the Comfort and ECO drive programs via DYNAMIC SELECT, the 9G-TRONIC shifts through the nine gears for you smoothly and efficiently, thus providing optimum ride comfort. In addition, the transmission is also truly sporty: at the press of a button you can experience fast, sporty gear changes while nevertheless frequently driving in the optimum engine speed range.

AIRMATIC package

(Available with GLE 400d 4MATIC LWB)

In the AIRMATIC package, an adaptive damping system meets modern air suspension. The result: an intelligent comfort suspension which is able to adjust automatically to the driving conditions, speed and load. As a result you benefit from counterbalancing driving stability with first-class comfort both on good and bad roads.





Mercedes-Benz GLE LWB

Design

MULTIBEAM LED

(Available with GLE 400d 4MATIC LWB)

For your perfect vision: the adaptive MULTIBEAM LED headlamps with individually controllable LEDs react to the traffic situation. Partial main beam omits other road users without dazzling them. When the road is clear, the ULTRA RANGE Highbeam increases the range by 150 metres. Adaptive Highbeam Assist Plus spares oncoming traffic or vehicles in front with highly precise LEDs: you do not have to keep on changing over to low-beam headlamps.



LED High Performance headlamps

(Available with 300d 4MATIC LWB)

The LED high-performance headlamps provide more safety at night and an unmistakable, distinctive look. LED technology illuminates the road ahead better than conventional headlamps – and it uses less energy. The adaptive tail lights featuring LED technology adjust their light intensity to the ambient conditions.



Panoramic sliding sunroof

Whether open or closed, with the panoramic sliding sunroof you experience a wonderful feeling of freedom and enjoy a pleasantly bright ambience in the interior. When viewed from the outside, the large sliding sunroof likewise makes a unique visual impression, as it lends lightness and exclusivity to the interior. The panoramic sliding sunroof has intelligent safety functions such as the integral obstruction sensor. And a sudden rain shower won't bother you either, as your sliding sunroof will close automatically. When a hazardous situation is detected, the roof is also closed automatically as preventive protective measures are initiated in conjunction with the PRE-SAFE® system.



Aluminium-look, illuminated running boards with rubber studs

A real eye-catching feature are the illuminated, aluminium-finish running boards. They are mounted on the side at the height of the side skirts, thus making it easier for you to get into the front as well as the rear. Slip-resistant rubber studs ensure a firm foothold.

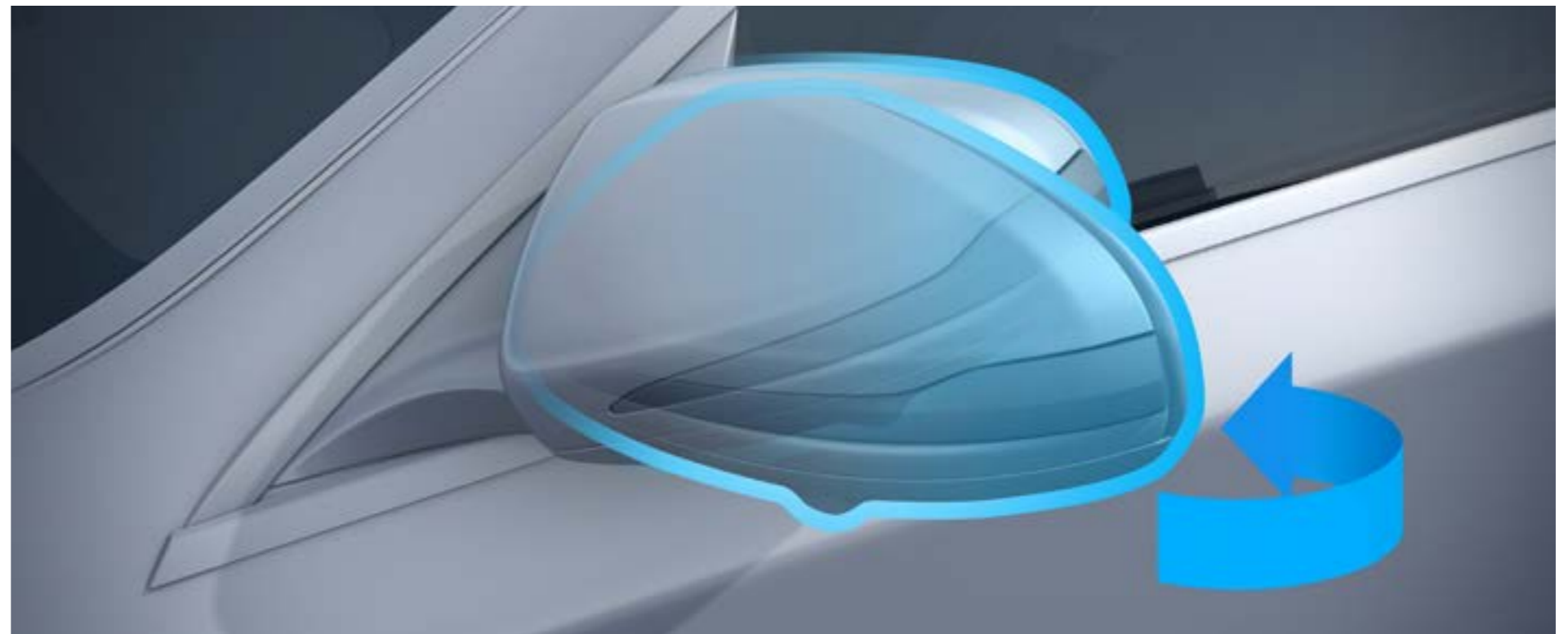
Underguard

This equipment protects the entire underbody of your vehicle. As such you are always perfectly equipped for those spontaneous off-road excursions. In addition, the underguard shields the engine compartment, thus effectively reducing dirt.



Mirror Package

The Mirror Package makes everyday driving easier: Electrically folding outside mirrors help protect your vehicle against annoying damage when parking. In addition, getting in and out of the vehicle in the dark is more convenient with the surround lighting. An attractive, eye-catching feature is the projection of the brand logo next to the opened side doors.





Interior

Adjust the colour scheme in your vehicle as the fancy takes you. With the ambient lighting system you have a choice of 64 colours, various colour schemes and effects at your disposal. Other highlights come courtesy of the elements in silver chrome plus the upholstery in sleek DINAMICA microfibre and hard-wearing ARTICO man-made leather. With the Ambiance package, the Mercedes-Benz design philosophy of Sensual Purity is brought to life – exclusive materials elegantly blend into the interior.

- Ambient lighting with 64 colours
- Comfort seats upholstered in ARTICO man-made leather
- Interior Chrome package:
 - Controls and trim in the door panel area in silver chrome
 - Controls on left next to the steering wheel in silver chrome
 - Hand comforter, control switches and cup holders in the centre console in silver chrome
 - Control bar for climate control in silver chrome

Rear comfort package

This package turns the second row of seats into a comfort zone: thanks to the extra soft headrests and armrests, your rear passengers can sit back and enjoy the journey. In addition, the extended centre armrest and centre console offer various shelves and connections - for more order and functionality on board.

Comfort headrests for the two outer rear seats

- Extravagantly padded additional cushions
 - Adjustable side bolsters
 - Adjustable inclination
- Extended comfort centre armrest
 - Integrated illuminated storage compartment
 - 2 USB interfaces (5 volt charging connection)
- Extended centre console
 - 2 cup holders





Widescreen Cockpit

Display cluster comprises of two fully digital colour displays in a flat screen look, each with a screen diagonal of 31.2 cm (12.3 inches) and a resolution of 1920 x 720 pixels. Inspirational design meets a fully digital display with flexible presentation options: the Widescreen Cockpit enables information to be truly experienced. The desired content can be positioned individually and the host of functions controlled intuitively thanks to touch technology. With the Widescreen Cockpit, the instrument display and media display form a visual unit. The two fully digital colour displays are combined together beneath a joint glass cover and blend harmoniously into the interior design as a continuous surface area. For the first time, this variant of the media display features a freestanding design without trim cover – as an elegant visual highlight.

Multifunction sports steering wheel in nappa leather

The multifunction sports steering wheel in nappa leather with black control panels will delight you whenever you see and touch it. The soft nappa leather is of very high quality. The steering wheel therefore conveys our passion for high-quality automotive details. Perfect vehicle control: the steering wheel sets the course, and not just on the road surface. It connects you with the vehicle and becomes a control centre. The Touch Control buttons on the left and right operate various navigation, telephony and entertainment functions. Last but not least, they set the speed/proximity control: everything under control without taking your hands off the steering wheel.



Electric sunblinds in rear doors

Seeing and not being seen: the electrically extending and retracting roller sunblinds in both rear doors protect passengers from prying eyes and against strong sunlight in summer. It is still possible to see through to the outside. Using the roller sunblinds is intuitive: they can be moved the desired position via the buttons in the door control panels of the rear doors. In addition, the driver can control the rollers centrally via the door control panel. If you do not need the rollers they can be concealed quickly at the press of a button in the door well.

4-Zone THERMOTRONIC Automatic climate control

The THERMOTRONIC automatic climate control system with 4 climate zones provides an individual feel-good climate on board. The driver and front passenger are able to set the temperature and air distribution to suit their personal needs. The climatic settings can be stored and retrieved at the touch of a button. THERMOTRONIC comes with further advantages. Firstly: the integral activated charcoal particle filter. This works very efficiently, and besides dust and soot particles also eliminates pollen, harmful substances and unpleasant odours. A sensor for air quality and noxious gases permanently monitors the quality of the exterior air drawn in, and automatically switches to air recirculation mode if pollutant levels rise. Secondly: the residual engine heat function. When making intermediate stops, and at the touch of a button, this uses the waste heat from the engine compartment to warm the interior. Thirdly: the dew point sensor. This measures the absolute air humidity and effectively counters any tendency of the windscreen and front side windows to mist up. 4-zone automatic climate control: allows an individually regulated climate to be set for the driver, front passenger and left and right sides in the rear





Wireless Charging Front

Driving time becomes charging time - with just a simple hand movement your smartphone can be fixed in place in the oddments tray where it is charged wirelessly. Irrespective of the model and brand, compatible smartphones are charged wirelessly.

Additional USB ports

Charge smartphone or tablet quickly - with a total of five additional USB-C ports you and your passengers can quite easily supply your mobile devices with power while on the road. Via selected connections, devices can also be connected directly to the vehicle's multimedia system and controlled.



EASY-PACK Tailgate

Extremely practical: the EASY-PACK Tailgate can be opened and closed electrically and makes loading and unloading the boot even more convenient. You can start the opening and closing process very conveniently at the press of a button and interrupt it at any time by pressing the button again.



EASY-PACK Load compartment cover

Protect your luggage from the sun and prying eyes: the EASY-PACK Load compartment cover comprises of a retractable cover which is fitted behind the rear seats. You can remove this at any time and store it in the compartment provided beneath the load compartment floor.



Velour floor mats

The velour floor mats additionally enhance your interior. They are finished in the respective appointments colour and edged. As such they blend into the interior design perfectly. In addition the mats protect the footwell against dirt - they can be removed easily to be vacuumed or cleaned.



Memory Package

(Available with GLE 400d 4MATIC LWB)

The Memory Package provides practical ease of operation – especially when your vehicle is used by different people. Besides seat adjustment, the individual position profiles also comprise the alignment of the steering column and exterior mirrors. After a change of driver or front passenger, your position can be restored at the press of a button.

Electrically-adjustable rear seats

With the electrically adjustable second seat row you can enjoy convenient flexibility: Extend the luggage compartment quite simply at the press of a button and adjust the rear seats into the desired position. With this equipment your rear seat passengers also benefit from a high degree of individual seating comfort.





Mercedes-Benz GLE LWB

Technology



Display styles

You can customise the design and the entire look and feel of the Widescreen Cockpit. There is a choice of four display styles: “Classic”, “Sport”, “Progressive” and “Subtle”. The chosen style tangibly characterises the interior atmosphere, especially in conjunction with the available ambient lighting.



Natural voice control

“Hey Mercedes.” These two initial words start the natural, intuitive LINGUATRONIC voice control system which comes as standard. It reacts to almost every word. The system can even process indirect speech – the air conditioning will respond, e.g. to “I feel cold” and increase the temperature setting. At the same time the voice control also has learning capability. It attunes itself to your voice and thus understands you better.



Touch control concept

MBUX offers users maximum freedom for controlling all functions in the way most comfortable and convenient to them. Whether using voice control or intuitive touch functions. The new GLE comes with the option of a multimedia touch display. There is also a touchpad integrated in the centre console, which responds to single and multi-finger gestures as well as handwriting. Furthermore, the displays can be controlled using Touch Control buttons on the steering wheel.

Hard-Disc Navigation

The high-quality 2D or 3D map displays recommend the ideal lane for your next driving manoeuvre. The system will first determine the route you require. This can be the fastest way or, for example, a toll-free connection. You enter the data as you wish – on the touch screen, or using the touchpad, the Touch Control buttons or LINGUATRONIC. The system even understands you in colloquial language. Say “Hello Mercedes, take me to...” and indicate a desired location. And route guidance promptly starts, right away. Always fully updated: online connectivity automatically updates map data via the mobile network.



Smartphone Integration

Smartphone Integration merges the mobile phone with the infotainment system via Apple CarPlay™ and Android Auto. This gives you convenient access to the most important applications on your smartphone. You can also use apps from third-party service providers such as Spotify quickly and easily. The available displays on the smartphone are optimised for the media display's interface, i.e. they are even clearer. For your concentration should continue to be devoted to your driving. This is why the voice control is more than just an appealing feature. You can submit your requests via the voice assistants in the car too.

Mercedes me

Additional Mercedes me connect features

Alexa Home Integration with Mercedes me

connect: Conversations with Alexa are now more fun when the systems connect with your Mercedes Benz via cloud and give you real time updates. This feature can be used from an Alexa Echo device setup at home, office or also from phone's Alexa App. The command starts with "Alexa, Ask Mercedes to...." or directly initiate a command by saying "Alexa, tell Mercedes to <command>".

Google Home integration with Mercedes me connect: Google Home integration is also offered for Google home users. In a similar way, once the Mercedes me connect is linked to Google Home, you can start issuing commands.

Parking location POIs (Points of Interest): The introduction of new Parking solution, shows Parking lots available across different parts of the cities. The Parking POIs (Points of interest) can be seen easily on the navigation system or alternatively also on the Mercedes me App maps section.

Please note that certain services are offered free of cost for a period of three (03) years and may be chargeable at the expiry of three (03) years from the date of activation of such services. If you wish to continue using those services, you may renew the same through Mercedes Me Store (as and when it is available). Please get in touch with your preferred Franchise Partner for more details.





Mercedes me connect allows drivers to stay in touch with their vehicles from anywhere in the world and to obtain assistance at the touch of a button.

Mercedes me

Vehicle Monitoring

Vehicle Tracker: Track your vehicle from anywhere, as your vehicle's GPS coordinates are seen on your phone App.

Parked Vehicle Locator: It can locate your parked vehicle within a radius of 1.5 kilometres and show you on a map how to make your way back to the vehicle.

Vehicle Set-Up

Remote Retrieval of Vehicle Status: Information on Mercedes me App or the Mercedes me Portal.

Remote Door Locking and Unlocking: You can conveniently remotely lock or unlock your vehicle from the Mercedes me App.

Speed Alert: Receive an alert if your vehicle exceeds a certain speed.

Send2Car function: Send your address to your vehicle via an app.

Remote Engine Start

Navigation Connectivity package

The combination of the standard-fit communication module (LTE) and the hard-disc navigation makes sure that you always reach your destination as quickly as possible by the best route.

Mercedes-Benz emergency call system

The Mercedes-Benz emergency call system can save you vital minutes in an emergency. If an accident is detected, a communications module with its own SIM card automatically triggers an emergency call which could shorten the time until rescue services arrive.

Please note that certain services are offered free of cost for a period of three (03) years and may be chargeable at the expiry of three (03) years from the date of activation of such services. If you wish to continue using those services, you may renew the same through Mercedes Me Store (as and when it is available). Please get in touch with your preferred Franchise Partner for more details.

Mercedes me

Vehicle Finder (enables horn and light flashing)

Find your vehicle in large parking lots with ease. Simply blow the horn or flash the headlamps through the app to locate your vehicle

Mercedes me Service app: Your digital assistant

Keep a tab on your Star's maintenance with ease. Get timely maintenance and service reminders. Book a service appointment and search for nearest showrooms with a single touch.

What's more, access expert tips to keep your Star in its best shape with car care videos.

Geo-fencing

Set a perimeter for the car movement and receive notifications in case of vehicle movement beyond the parameter. Hence the feature enables easy monitoring when vehicle is being driven by others.

Windows/sunroof open close from App

Open/Close the windows and sunroof of your Mercedes-Benz remotely through the app. This enables better ventilation before you get into the car.





Mercedes-Benz GLE LWB

Safety



Adaptive Highbeam Assist Plus

(Available with GLE 400d 4MATIC LWB)

Drive with permanent main beam. This virtually turns night into day and relieves the strain on you in your driving duties. See very far, don't dazzle – the Adaptive Highbeam Assist Plus works according to this motto. The intelligent system spares oncoming traffic or vehicles in front with highly precise LEDs: you do not have to keep on changing over to low-beam headlamps.

Parking Package with 360-degree camera

Optimum parking service on board. Active Parking Assist with 360° camera makes it easier for you to find a parking space and to manoeuvre into and out of parking spaces. The choice is yours: thanks to all-round visibility you can park your vehicle yourself – or have your vehicle parked stress-free.



Emergency spare wheel

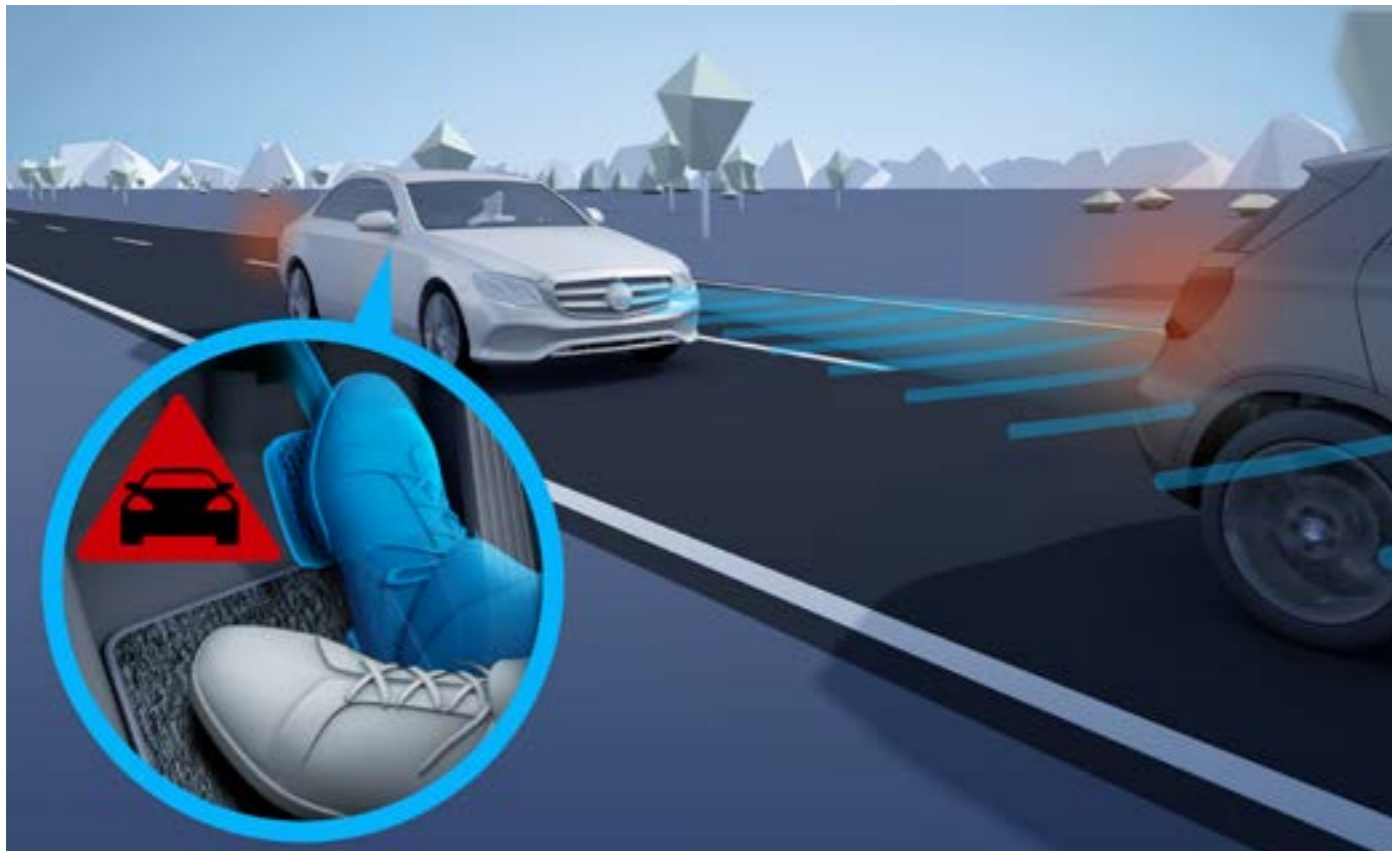
The emergency wheel is lightweight and makes changing a tyre in the event of a breakdown simple. This enables you to reach the next service station even in the event of more significant tyre damage which it may not be possible to repair with TIREFIT tyre sealant.



Blind Spot Assist

(Available with GLE 400d 4MATIC LWB)

Blind Spot Assist takes a very close look for you – in particular as soon as you actuate the turn indicator. The system is thus able to give you a visual and audible warning of side collisions with other road users in the blind spot. After your trip, the system still remains alert and warns you if you open the door at the wrong time.

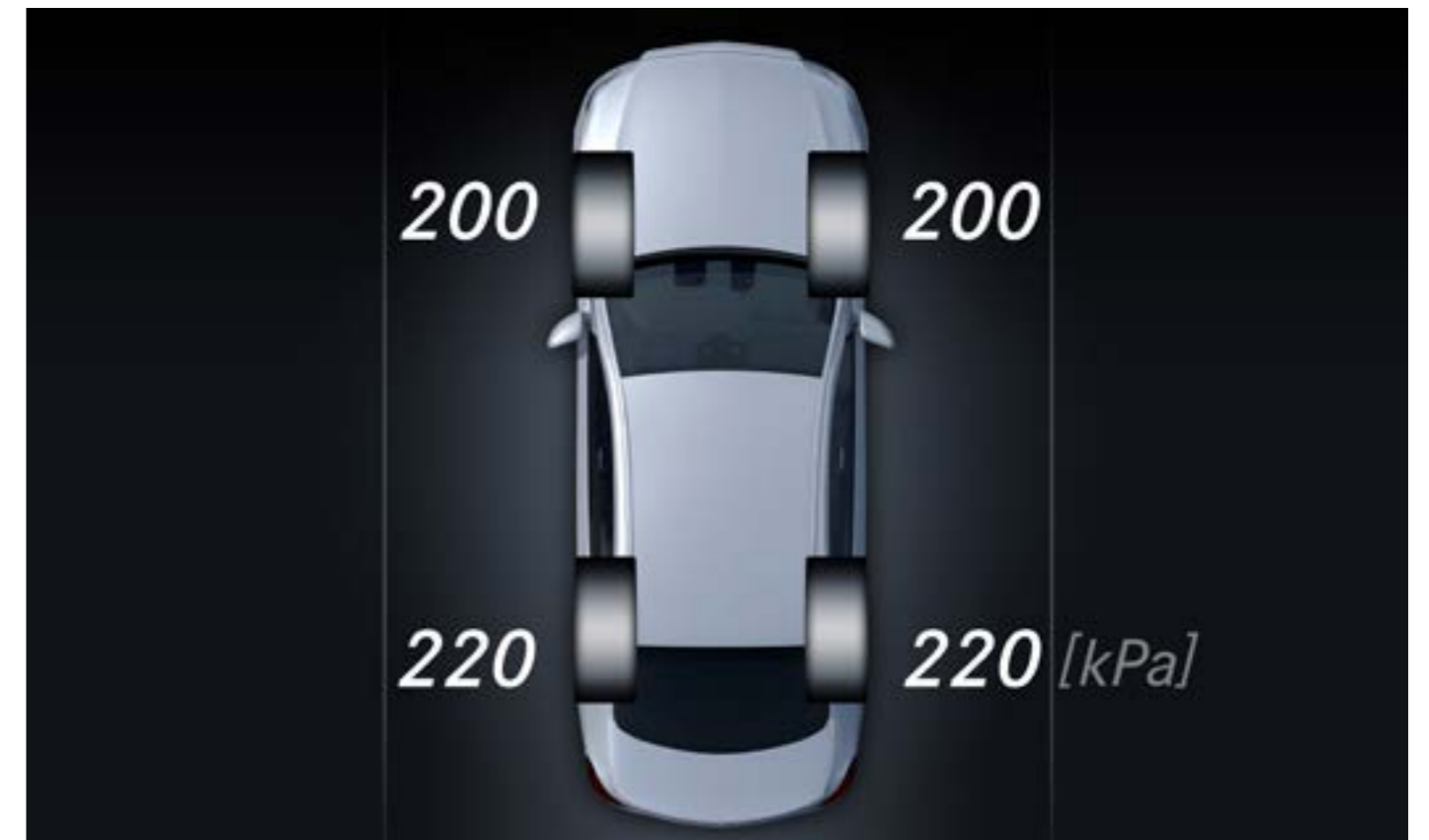


Active Brake Assist

Active Braking Assist can help you to avoid rear-end collisions and accidents with crossing pedestrians and cyclists. Besides distance and collision warning, it also provides situation-dependent brake boosting in the event that you apply the brakes with insufficient force. If you do not react, it is able to initiate autonomous emergency braking.

Tyre pressure monitoring system

The system monitors the tyre pressure for you and provides you with a warning in the event of a drop in pressure. This way you can react more quickly to these hazardous situations. Too low a tyre pressure can also result in longer stopping distances. When the control system notifies you, you should top up the air quickly. Correct tyre pressure additionally increases mileage.



Paintwork

Non-Metallic - Polar White



Metallic - Cavansite Blue



Metallic - Mojave Silver



Metallic - Obsidian Black



Upholstery



ARTICO leather macchiato beige

Trim



High-gloss anthracite lime wood trim
(Available with GLE 300d 4MATIC LWB)



Anthracite open-pore oak wood trim elements
(Available with GLE 400d 4MATIC LWB)

Alloy



50.8 cm (20-inch) 5-twin-spoke light-alloy wheels
(Available with GLE 400d 4MATIC LWB)



48.3 cm (19-inch) 10-spoke light-alloy wheels
(Available with 300d 4MATIC LWB)

Genuine Accessories



Roof spoiler, primed

Unflinchingly individual: a roof spoiler from Mercedes-Benz sets your vehicle apart. It gives the rear a more compact, powerful, accentuated look. Head-turning bodystyling, and safe too: the roof spoiler does not affect the field of vision. Quality on top: the roof spoiler is highly durable, thanks to the use of precision-fit, dimensionally stable polyurethane. Also offers many other compelling selling points: for example it is simple to secure in place using special adhesive tape. Supplied primed - ideal for painting. Does not need to be entered in vehicle documents. For that visible distinction - Mercedes-Benz.



Load sill guard

The load sill guard in a chrome look reliably protects the boot sill of the vehicle against damage and signs of wear. A specially developed tape for the automotive exterior allows a quick and simple fitting. The load sill guard precisely adapts to the contours of the vehicle and, thanks to the carefully selected materials, ensures a high-class appeal.



Door handle recesses in front and rear

An exclusive highlight: the refined, chrome-design door handle recesses lend the vehicle a polished, individual look. The stable, robust material is precision-tailored to the bodywork and protects the paintwork in the recess from scratches.

Genuine Accessories



Sports pedals in stainless steel

For a sporty look – the pedal covers, in brushed stainless steel, add a sporty, high-quality touch to the interior. The genuine parts feature a non-slip rubber stud inlay and comply with Mercedes-Benz's safety standards.



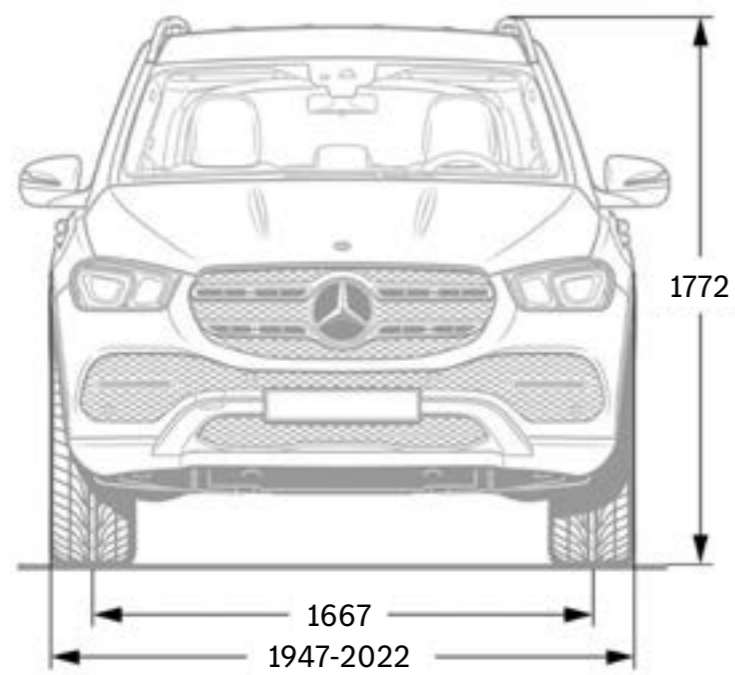
Gills kit for fender

Gill attachment for the fenders. Galvanically high-gloss chromed plastic as trim parts for the fenders. Robust, dimensionally stable design. Coordinates with all chrome parts of the vehicle.

Technical Data

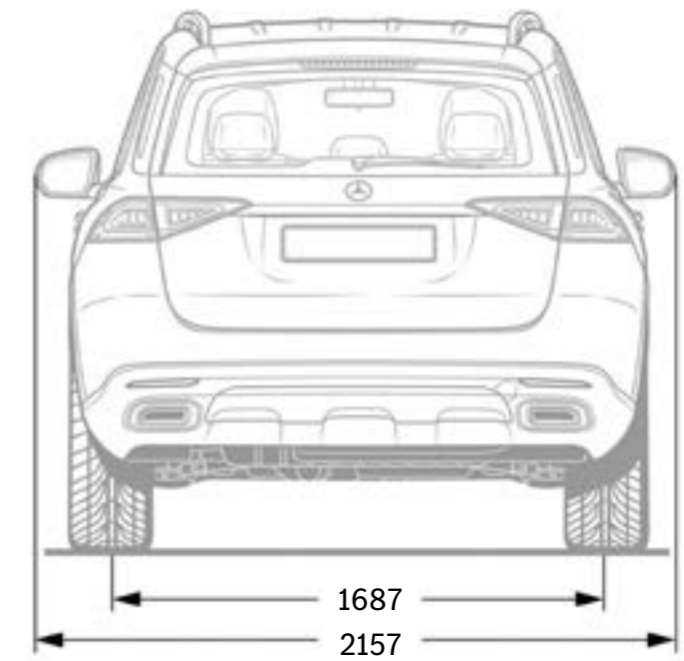
| | GLE 300d 4MATIC LWB | GLE 400d 4MATIC LWB |
|--|---------------------|-----------------------|
| Total displacement/ No./arrangement of cylinders | 1950 cc/L4 | 2925 cc/L6 |
| Rated output in kW (hp) @ rpm | 180 (245)/4200 | 243 (330)/3600 - 4200 |
| Rated torque (Nm) @ rpm | 500/1600 - 2400 | 700/1200 - 3200 |
| Transmission | 9G-TRONIC | 9G-TRONIC |
| Acceleration from 0 - 100 km/h (sec) | 7.2 sec | 5.7 sec |
| Top speed approx (km/h) | 225 km/h | 245 km/h |
| Gross vehicle weight (kg) | 2910 kg | 3070 kg |
| L x W (with ORVM) x H (mm) | 4924 x 2157 x 1772 | 4924 x 2157 x 1772 |
| On-board Electrical system | 14 V | 14 V |

Dimensions

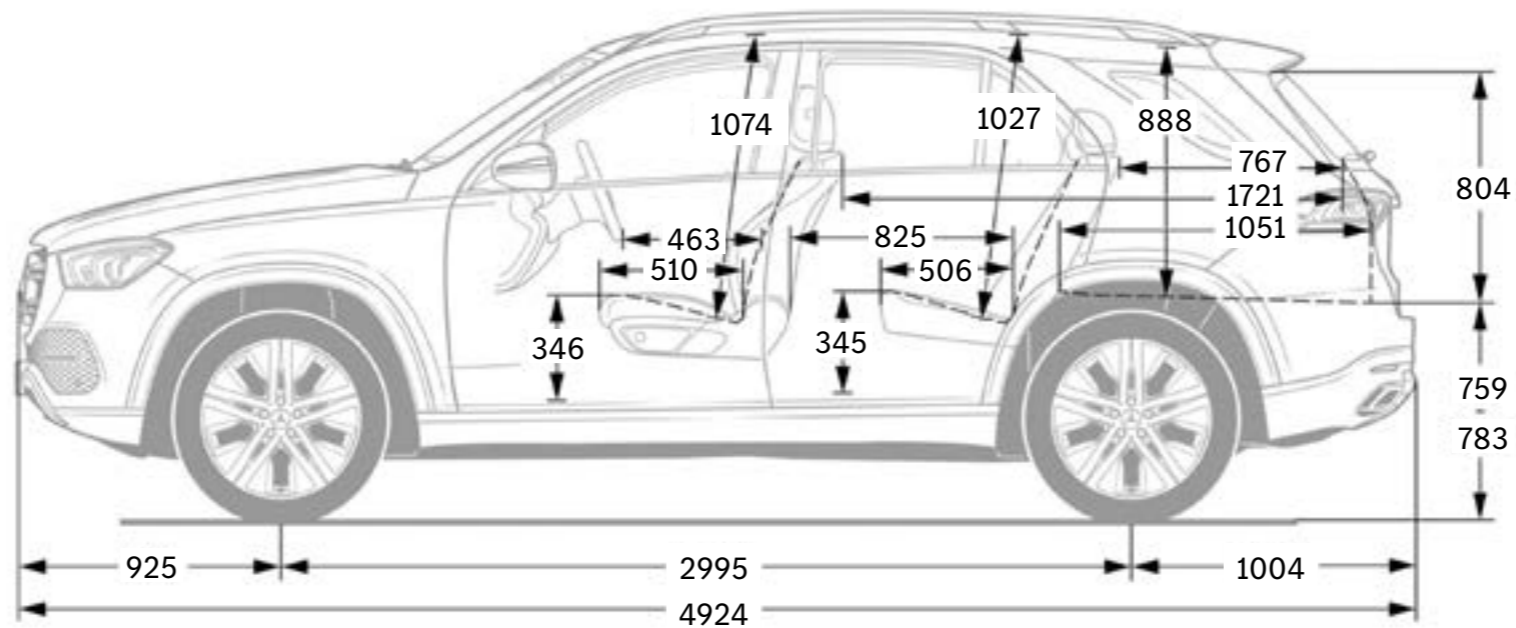


Front

Rear



Side



*Please read the disclaimer

*All dimensions are in mm



My Mercedes. My Service

Advance Assurance Program

Extending your warranty coverage

With Advance Assurance Program, experience complete peace of mind. While this Extended Warranty Program kicks in the moment your standard 3 years warranty comes to an end, it can be extended further up to 6 years at a nominal price. Also, it comes with a bouquet of privileges for a worry-free time with your Star.

STAR EASE

Delivering the best-in-class value

Servicing your Star does not get any better than this. With the STAR Ease Maintenance Packages, pay a defined cost of maintenance based on the model, contract period and mileage and say goodbye to spending on service every time. Plus, enjoy exclusive features like priority handling, shorter waiting time and quicker processes.

My Mercedes. My Service

MOBILO

Providing you 24x7 mobility support

Your vehicle comes with Mobilo which provides round-the-clock on-road assistance service. Mobilo comes as a standard for 3 years and can be extended further up to 8 years at a nominal cost. This service offers privileges like vehicle towing facility, replacement vehicle, hotel accommodation, just to name a few.

Digital Service Drive

Ensuring convenience and transparency of service.

Servicing your Star is the last thing you will ever have to worry about. We provide transparent, convenient and hassle-free service. Our customer-friendly service features work around your busy schedule so that you have one less thing to focus upon.





My Mercedes. My Service

Mercedes-Benz Genuine Parts

Now with 2 years* of warranty

Mercedes-Benz Genuine Parts are crafted to the state-of-the-art standards of Mercedes-Benz, protecting your vehicle's performance while maintaining the style, comfort and safety, for the years to come. Also, they come with a warranty of up to 2 years, ensuring you a peaceful ownership experience with your Star.

Premier Express*

Because we value your time as much as you do.

Life gets busy and so we have designed Premier Express, our vehicle care service to help you get in and out quickly. While the visit will be brief, the service offered by our technicians will be comprehensive and complete. All to ensure your Mercedes-Benz is running for miles to come.

My Mercedes. My Service

Mercedes-Benz Approved Tyres and Rims

Ensuring every ride is a safe and joyful one

Maximise the safety and comfort of your Star with Mercedes-Benz approved tyres and rims. While the Mercedes-Benz approved tyres are designed to optimally match your car's performance, the Mercedes-Benz approved rims are designed to lend an exceptional style to the exterior of your Star and are also engineered for optimal performance.

Mercedes-Benz Genuine Chemical Products

Because your Star deserves nothing but the original

Mercedes-Benz Genuine Chemical Products are specially tested for compatibility with the materials in our cars and meet the high quality standards. Also, our products have been approved under Mercedes-Benz Group AG's strict, self-imposed environmental norms. Now with Mercedes-Benz Genuine Chemical Products, experience a whole new world of superior products that support throughout the car's life cycle.





Mercedes-Benz India Private Limited: E-3, MIDC Chakan - Phase III, Chakan Industrial Area, Kuruli & Nighoje, Tal: Khed, Pune - 410 501 (India) Toll free No.: 0008000501888. e-mail: cs.ind@cac.mercedes-benz.com, website: www.mercedes-benz.co.in Please note: This brochure is intended for general information, description and illustration of the Product including optional functions and equipment and may not be specific to a Product since specification of a product may change from time to time. Optional features, functions and equipment etc. may not be present in the Standard or Variant Product or Special Edition Product. Further, Standard specifications of a product may also vary from time to time. Colours may differ from those shown in pictures in the brochure. Mercedes-Benz India reserves the right to make changes without prior notice, in design, colours, materials, components, equipment, specifications, features, functions, make and models etc. The information given in this brochure shall be regarded as accurate at the time of launch and may vary thereafter due to any developments or any other reason. Interested customers should reach out to the Authorised Franchise Partner for further information on the exact specifications, features of the product.

Images shown are for representation purposes only. Some of the vehicles in the Brochure are left hand drive wheel. However, Mercedes-Benz India only manufactures and sells vehicles as per the applicable motor vehicle regulations in India. All vehicles sold by Mercedes-Benz Authorized Franchise Partners shall be with right hand drive wheels only. All title, ownership rights and intellectual property rights in and relating to this brochure/magazine or publication material or any copies thereof including but not limited to copyright, logos, names, trademarks, service marks, design, text, images, links, concepts and themes are owned by Mercedes-Benz Group AG and/or its subsidiaries collectively or used under authorised license by the Mercedes-Benz Group AG. Any reproduction, transmission, publication, performance, broadcast, alteration, license, creation of derivative works or other use in whole or in part in any manner without the prior written consent of Mercedes-Benz India Pvt. Ltd is strictly prohibited. Please note that certain services are offered free of cost for a period of three (03) years and may be chargeable at the expiry of three (03) years from the date of activation of such services. If you wish to continue using those services, you may renew the same through Mercedes Me Store (as and when it is available). Please get in touch with your preferred Franchise Partner for more details. Mercedes-Benz cars: The GLE meets Bharat Stage VI equivalent emission norms.
CIN - U34102PN1994PTC083160