

# The Mercedes-Maybach GLS 600 4MATIC.



MAYBACH



# MAYBACH



Desire for Sophisticated Luxury.



In the face of our finest SUV.



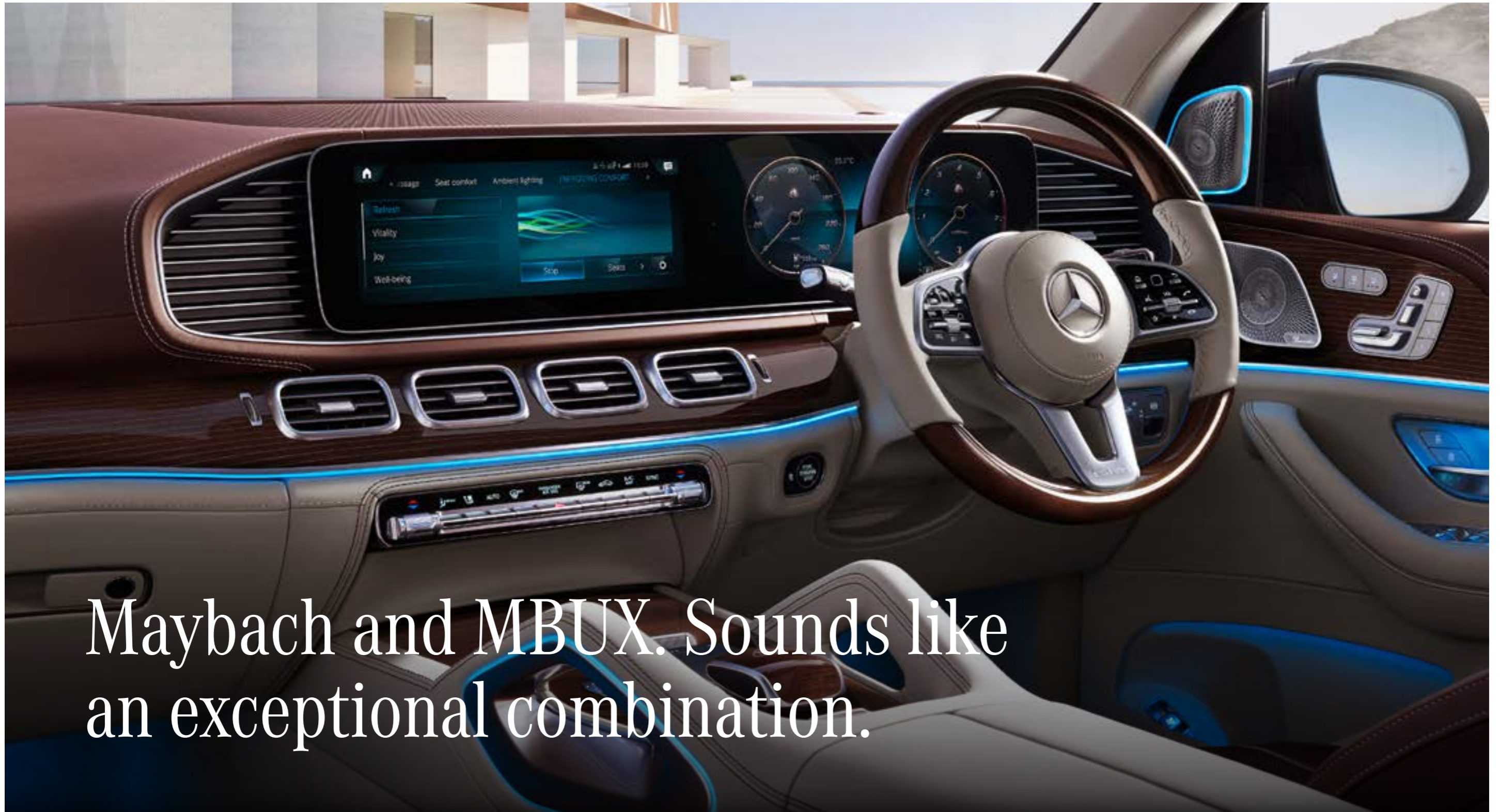
Follow the icon.



Feel nothing, hear nothing.  
Just enjoy.



A luxury yacht, an executive office, an oasis of wellbeing.



Maybach and MBUX. Sounds like an exceptional combination.





Mercedes-Maybach GLS

---

# Engine

## 4.0-litre V8 biturbo engine

Massive power with a modern twist.

The V8 engine with a displacement of four litres, can develop 410 kW (557 HP) and 730 Nm of torque, this engine has developed exclusively for Maybach and moves the car discreetly and powerfully. The engine is combined with the 48-volt system EQ Boost.

It is characterised by explosive power delivery with finely controllable power output. As part of this, the twin-scroll turbochargers are located between the cylinder heads for better response. When power demands are low, on the other hand, cylinder shutoff noticeably reduces fuel consumption.





## AIRMATIC package

In the AIRMATIC package, an adaptive damping system meets modern air suspension. The result- an intelligent comfort suspension which is able to adjust automatically to the driving conditions, speed and load. As a result you benefit from counterbalancing driving stability with first-class comfort both on good and bad roads. The adaptive damping system responds sensitively to unevenness. It is adjusted separately for each wheel and forms the basis for comfortable, relaxed travel. The sophisticated sensor system of the all-round self-levelling enables automatic lowering at high speeds and also in the sporty DYNAMIC SELECT drive programs.

## Downhill Speed Regulation

For relaxed and safe downhill descents when driving off-road, the Downhill Speed Regulation maintains a constant speed on steep downhill descents, thus preventing unwanted acceleration. You can limit the vehicle speed between 2 and 18 km/h.



Mercedes-Maybach GLS

# Design

## MULTIBEAM LED headlamps

For your perfect vision: the adaptive MULTIBEAM LED headlamps with individually controllable LEDs react to the traffic situation. Partial main beam omits other road users without dazzling them. When the road is clear, the ULTRA RANGE Highbeam increases the range to 650 metres. The cornering light and active light functions also illuminate the field of vision to optimum effect.



## Adaptive LED Tail lights

The adaptive full-LED tail lights shine with their brilliant design and intelligent technology as they continuously adjust the light intensity precisely to lighting conditions of the surroundings.

## MAYBACH Chrome package

The design of the Mercedes-Maybach GLS embodies the ultimate in luxury. Hallmark Maybach elegance meets the characteristic dominance of an SUV. The generous dimensions of the exterior befits its image – prestigious and sublime at the same time. The unique Maybach look is unmistakable at first glance thanks to the radiator grille with vertical bars along with an upright star on the bonnet, numerous chrome trim parts plus Maybach lettering and Maybach emblems.

- Radiator grille with vertical bars in high-gloss chrome and Maybach lettering in the centre of the upper edge
- Front apron with applications and air inlet grilles in chrome: upper part of bumper painted in the vehicle colour plus lower part of bumper in high-gloss black with integral underride guard in chrome
- Side skirts in high-gloss paint with chrome inserts
- Chrome trim elements in the B-pillar
- Maybach-specific tailpipe trim, in a high-gloss chrome finish with horizontal trim inserts





## Retractable Maybach Running Board

Elegant running boards extend to greet your step with pinstripe-design louvres and the Maybach insignia. These automatically swing out for passengers to enter and leave the vehicle.

## Mirror Package with MAYBACH logo projection

The Mirror Package makes everyday driving easier with the electrically folding outside mirrors. Getting in and out of the vehicle in the dark is more convenient with the Maybach's illuminated LED lighting. An attractive, eye-catching feature is the projection of the Maybach logo next to both front side doors.

## Executive Seats

An automotive benchmark for peace and quiet, relaxing comfort and complete relaxation on long journeys. The continuous, comfortable reclining surface of the Executive Seats together with the electrically extending leg rest provides you with a pleasant relaxing position. Control the seat backrest at the press of a button and enjoy an almost flat angle of up to 43.5 degrees. With the luxury head restraints, your rear seat passengers enjoy first-class seating comfort on every trip. The strain is taken off the head and neck and they are supported thanks to the individually adjustable side bolsters. The high-quality nappa leather upholstery helps to ensure a tangible sense of comfort and visible exclusivity.

- Luxury head restraints
- Electrically extendable leg rest
- Cushion bag
- PRE-SAFE® positioning function

The second seat row becomes first class. The travelers in the rear enjoy particularly comfortable journey thanks to comfort extras and various stowage facilities within.

### Widened luxury:

- Removable MBUX rear tablet with 7-inch screen and camera function, docking station in high-gloss black for storage and charging, compatible with all apps from the Google Play Store
- Integral illuminated stowage compartment
- 2 USB C-type ports
- Wireless charging for mobile phones
- Temperature controlled cup holders
- Luxury head restraints for the two outer rear seats







## Dashboard and door beltline trim in Nappa leather

The dashboard and the beltlines in high-quality Nappa leather lend the interior of your Mercedes-Maybach an additional touch of exclusivity. Other special highlights additionally include the decorative topstitching.

- Top of dashboard in Nappa leather
- Door beltlines in Nappa leather
- Door centre panels in Nappa leather

\*Please read the disclaimer

## Exclusive trim package

The Trim package lends your interior an individual look. Additional trim elements on the back of the front seat backrests blend seamlessly into the interior, creating some exciting contrasts. All seat passengers in particular can enjoy an enhanced sense of high-class appeal.

- Exclusive wood trim elements with Maybach Insignia





## Panoramic sliding sunroof

A grand power sunroof welcomes the sun and stars. You experience a wonderful feeling of freedom and enjoy a pleasantly bright ambience in the interior. When viewed from the outside, the large sliding sunroof likewise makes a unique visual impression, as it lends lightness and exclusivity to the exterior.

## Double sunblind

The twin sunblind for driver and front passenger protects you even more effectively against unpleasant glare. Thanks to the additional swivelling and horizontally adjustable sunblinds you can protect yourself against glare from the front and the sides at the same time. This brings noticeable additional comfort, particularly when the sun is low in the sky.

## Electric sunblinds, rear

Seeing and not being seen: the electrically extending and retracting roller sunblinds in both rear doors protect passengers from prying eyes and against strong sunlight in summer. It is still possible to see through to the outside. Using the roller sunblinds is intuitive: they can be moved to the desired position via the buttons in the door control panels of the rear doors.

## Multifunction sports steering wheel in Nappa leather with MAYBACH lettering

The multifunction sports steering wheel in nappa leather with black control panels will delight you whenever you see and touch it. The soft Nappa leather is of very high quality. The steering wheel therefore conveys our passion for high-quality automotive details. Perfect vehicle control: the steering wheel sets the course, and not just on the road surface. It connects you with the vehicle and becomes a control centre. The Touch Control buttons on the left and right operate various navigation, telephony and entertainment functions. Last but not least, they set the speed/proximity control: everything under control without taking your hands off the steering wheel.



## Ambient lighting in 64-colors

A veritable sea of lights welcomes you in the interior of the new Mercedes-Maybach GLS. It is equipped with extensively enhanced ambient lighting. The exclusive highlights are the rising "Flowing Lines" in the rear doors and the indirect lighting in the roof liner, creating an especially pleasant lighting mood.

## THERMOTRONIC automatic climate control in 4-climate zones

The THERMOTRONIC automatic climate control system provides an individual feel-good climate on board. All passengers are able to set the temperature and air distribution to suit their personal needs. The climatic settings can be stored and retrieved at the touch of a button.



## AIR-BALANCE package

The AIR-BALANCE package offers an individual fragrance experience in the interior - to suit your personal preference and depending on the mood. Thanks to refreshing ionization, it also contributes to improved air quality on board and increased well-being.



## ENERGIZING AIR CONTROL

ENERGIZING AIR CONTROL monitors the air quality with the help of an air quality and particulate matter sensor - and displays it in MBUX. Your Mercedes intelligently switches between fresh air and recirculation mode. A cabin filter with an antibacterial effect reduces a large proportion of inhalable pollutants, and certain viruses are also reduced directly on the filter.

## Multicontour climatised seats with massage function and memory package

Tailor-made and designed to indulge, these seats combine a host of adjustment options with exclusive feel-good extras. Innovative side cushions ensure strong lateral support. The hot-stone massage effect, both stimulates and loosens up for gentle pressure with a comfortable level of warmth. The comfort head restraints with extra-soft head contact area are ergonomically optimised and can be oriented both horizontally and vertically. The pampering wellness effects of the massage function provide purposeful relaxation. The ergonomic contours of the seat back promote a healthy posture.

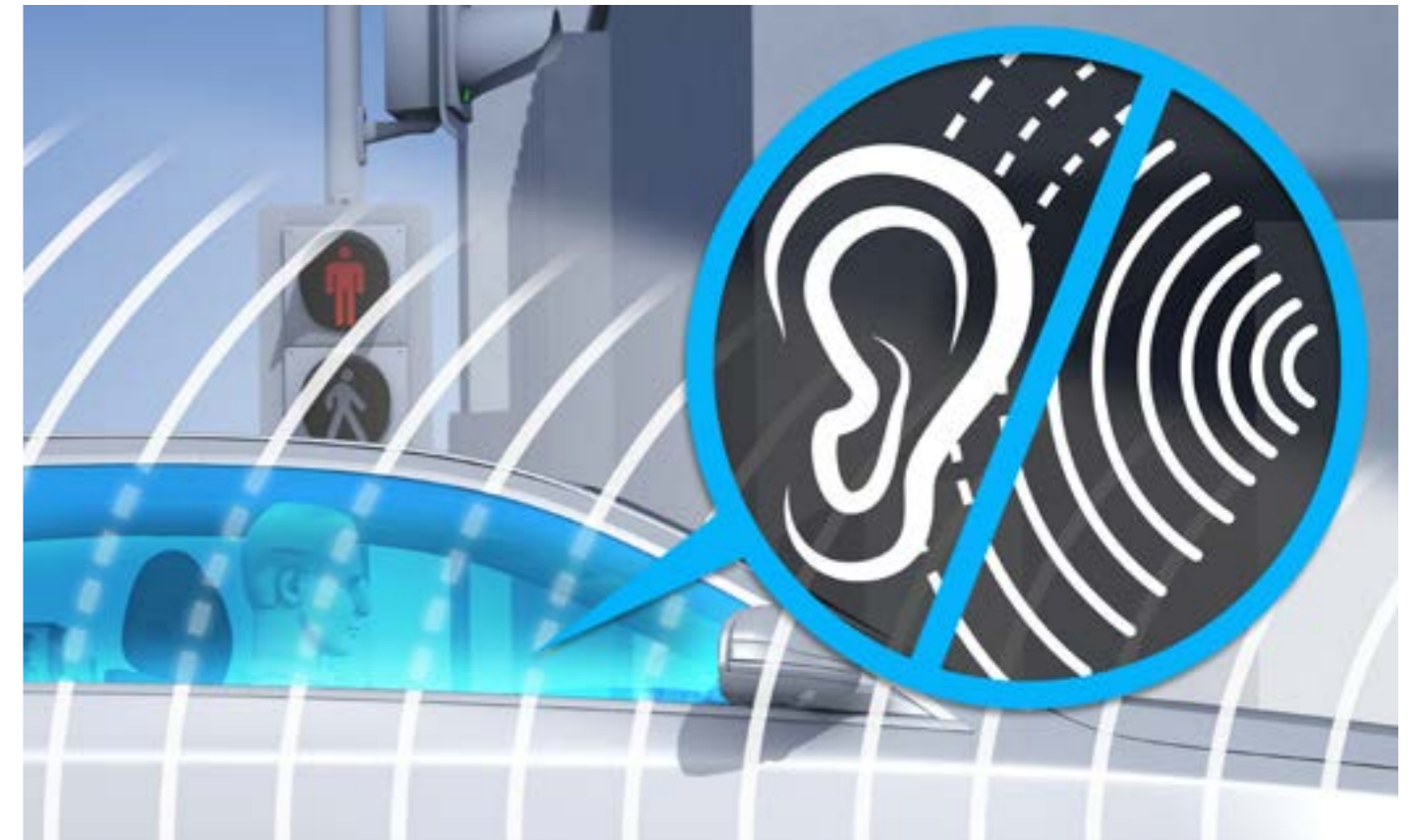
- Multiple programmes, each with 2 intensity levels
- 10 pressure points in the seat back
- Activation via the MBUX rear-seat tablet in the centre armrest
- Static 4-way lumbar support adjustment in the lower back region

The climatised seats for all passengers, comprises seat ventilation – for ideal seating comfort and experience all year round.



## Burmester® surround sound system

Experience more performance and exclusivity with the legendary Burmester sound. The high-performance speakers develop a first-class surround sound. You can specifically optimise this for the front and rear seats to intensify the listening experience. A level of quality that is also visible, thanks to the high-quality Burmester lettering.



## Acoustic Comfort package

Enjoy maximum comfort while driving: the sound insulation of the Acoustic Comfort package significantly reduces disruptive exterior noise. There is thus nothing to stand in the way of relaxed conversations, even when driving at high speeds. The quiet atmosphere also promotes concentration, enabling you to arrive relaxed at your destination.



## Wireless charging

Charge compatible mobile phones conveniently and without cables, in the front and even in the rear. The stowage compartment between the seats is also an inductive charging area. All mobile devices which use the Qi standard are supported.

## Temperature-controlled cup holder

A refreshing drink is always within reach – a convenience enjoyed by all passenger thanks to the temperature-controlled cup holders in the front and rear.





## KEYLESS-GO Comfort package

- You start and lock your vehicle simply by having the key on your person
- The HANDS-FREE ACCESS function allows contactless, fully automatic opening and closing of the tailgate – with a simple kicking motion below the sensor
- The access and drive authorization functions enable all the doors to be unlocked and locked merely by touching the door handle
- An anti-lock device stops the movement of the tailgate as soon as it detects an obstacle



## EASY-PACK tailgate

Extremely practical: the EASY-PACK tailgate can be opened and closed electrically that makes loading-unloading the boot even more convenient. You can press the button on your vehicle key from a distance so that the tailgate is open by the time you get to the vehicle.



## Power closing

Closing doors has never been as comfortable and smooth: the front and rear doors of your vehicle are closed almost silently with the aid of servo motors. You only need to close the doors as far as it starts to engage – and your vehicle will take over the rest for you.



Mercedes-Maybach GLS

# Technology

## Widescreen Cockpit

With the widescreen cockpit, the instrument display and media display form a visual unit. The two fully digital colour displays are combined together beneath a joint glass cover and blend harmoniously into the interior design as a continuous surface area. Furthermore, you can select the display to suit your taste and give your cockpit an individual look. There is a choice of “Classic”, “Sport”, “Progressive” and “Subtle” display styles

## Smartphone Integration

Smartphone Integration merges the mobile phone with the infotainment system via Apple CarPlay® and Android™ Auto. This gives you convenient access to the most important applications on your smartphone. You can also use apps from third-party service providers such as Spotify, quickly and easily. The voice control is more than just an appealing feature. You can submit your requests via the voice assistants in the car too.





## Hard-disc Navigation

Save time through fast hard-disc navigation with flexible inputs via touch control or voice input. The intelligent system guides you reliably to your destination using both local and up-to-date online data. You can enter the data as you wish – on the touchscreen, or using the touchpad, the touch control buttons or LINGUATRONIC. The system even understands you when you use common speech. Say “Hello Mercedes, take me to...” and specify a desired location.

Another special feature is “what3words”. This innovative coordinate system determines every single point on earth with exactly three words.

Live Traffic Information: It receives traffic information in real time which is more precise and up-to-date and optimises dynamic route guidance.



**Mercedes me connect allows drivers to stay in touch with their vehicles from anywhere in the world and to obtain assistance at the touch of a button.**

**Mercedes** *me*

## Vehicle Monitoring

**Vehicle Tracker:** Track your vehicle from anywhere, as your vehicle's GPS coordinates are seen on your phone App.

**Parked Vehicle Locator:** It can locate your parked vehicle within a radius of 1.5 kilometres and show you on a map how to make your way back to the vehicle.

## Navigation Connectivity package

The combination of the standard-fit communication module (LTE) and the hard-disc navigation makes sure that you always reach your destination as quickly as possible by the best route.

## Vehicle Set-Up

**Remote Retrieval of Vehicle Status:** Information on Mercedes me App or the Mercedes me Portal.

**Remote Door Locking and Unlocking:** You can conveniently remotely lock or unlock your vehicle from the Mercedes me App.

**Speed Alert:** Receive an alert if your vehicle exceeds a certain speed.

**Send2Car function:** Send your address to your vehicle via an app.

**Remote Engine Start**

## Mercedes-Benz emergency call system

The Mercedes-Benz emergency call system can save you vital minutes in an emergency. If an accident is detected, a communications module with its own SIM card automatically triggers an emergency call which could shorten the time until rescue services arrive.

Please note that certain services are offered free of cost for a period of three (03) years and may be chargeable at the expiry of three (03) years from the date of activation of such services. If you wish to continue using those services, you may renew the same through Mercedes Me Store (as and when it is available). Please get in touch with your preferred Franchise Partner for more details.

# Mercedes me

## Vehicle Finder (enables horn and light flashing)

Find your vehicle in large parking lots with ease. Simply blow the horn or flash the headlamps through the app to locate your vehicle

## Mercedes me Service app: Your digital assistant

Keep a tab on your Star's maintenance with ease. Get timely maintenance and service reminders. Book a service appointment and search for nearest showrooms with a single touch.

What's more, access expert tips to keep your Star in its best shape with car care videos.

## Geo-fencing

Set a perimeter for the car movement and receive notifications in case of vehicle movement beyond the parameter. Hence the feature enables easy monitoring when vehicle is being driven by others.

## Windows/sunroof open close from App

Open/Close the windows and sunroof of your Mercedes-Benz remotely through the app. This enables better ventilation before you get into the car.



# Mercedes me

## Additional Mercedes me connect features

### Alexa Home Integration with Mercedes me

**connect:** Conversations with Alexa are now more fun when the systems connect with your Mercedes Benz via cloud and give you real time updates. This feature can be used from an Alexa Echo device setup at home, office or also from phone's Alexa App. The command starts with "Alexa, Ask Mercedes to...." or directly initiate a command by saying "Alexa, tell Mercedes to <command>".

**Google Home integration with Mercedes me connect:** Google Home integration is also offered for Google home users. In a similar way, once the Mercedes me connect is linked to Google Home, you can start issuing commands.

**Parking location POIs (Points of Interest):** The introduction of new Parking solution, shows Parking lots available across different parts of the cities. The Parking POIs (Points of interest) can be seen easily on the navigation system or alternatively also on the Mercedes me App maps section.

Please note that certain services are offered free of cost for a period of three (03) years and may be chargeable at the expiry of three (03) years from the date of activation of such services. If you wish to continue using those services, you may renew the same through Mercedes Me Store (as and when it is available). Please get in touch with your preferred Franchise Partner for more details.

\*Please read the disclaimer





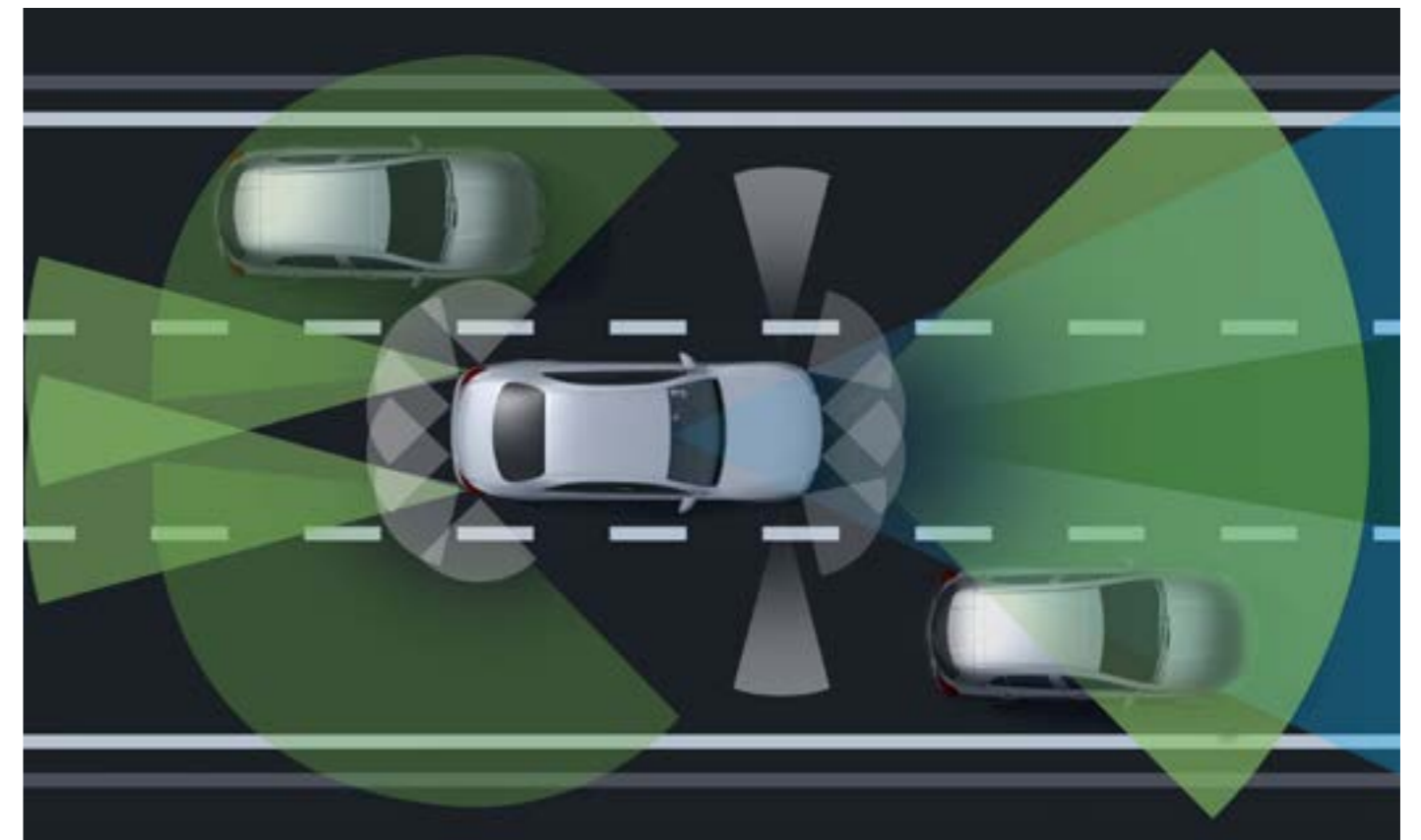
Mercedes-Maybach GLS

# Safety



## PRE-SAFE® System

With PRE-SAFE® seatsbelts can be electrically pretensioned in hazardous situations. As a result, the forward displacement of the occupants during braking or skidding can be reduced in an impending accident. In certain situations, the side windows or panoramic roof – if fitted – close automatically. The front passenger seat and rear seats can additionally be moved into a more favourable position in the event of a crash. The air chambers of the multicontour seats are also filled with air to hold the occupants in place more effectively. In conclusion, the components of the PRE-SAFE® system can significantly reduce the risk of injury.



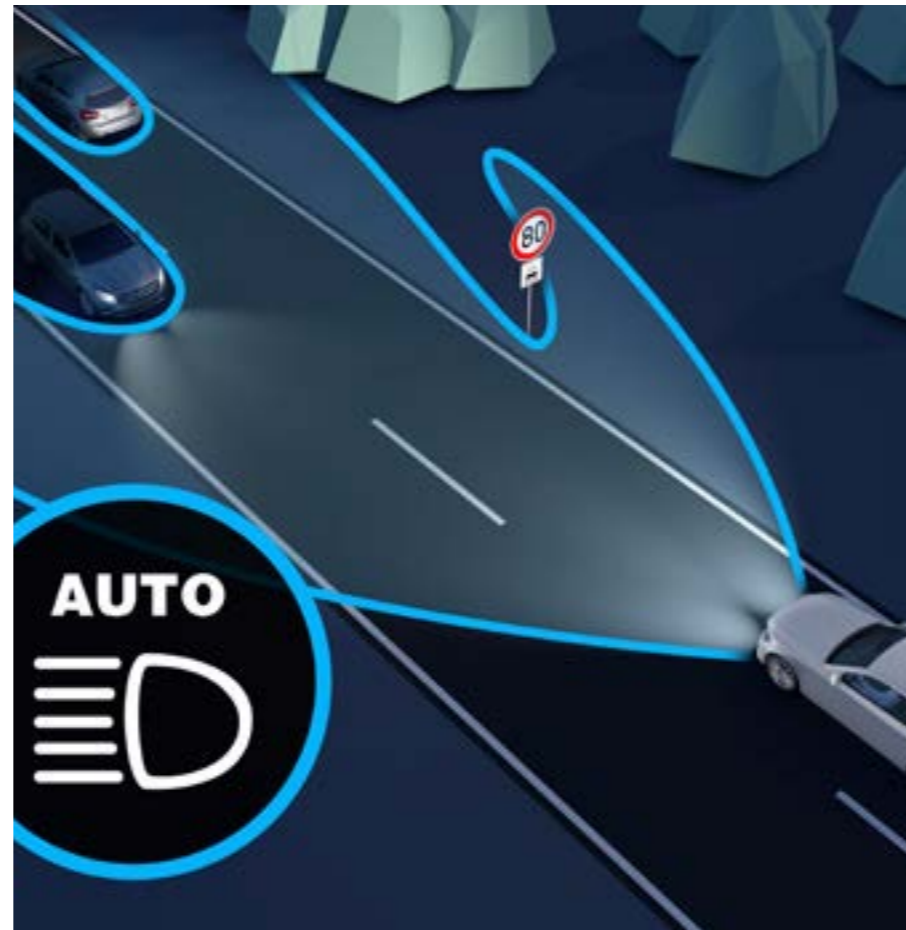
## Driving Assistance Package

With the Driving Assistance Package, your Mercedes is fitted with a host of sensors: cameras, radar and ultrasound capture the surroundings. The risk of an accident is reduced – passengers and road users are protected effectively. So you reach your destination relaxed and safe.



## Parking Package with 360-degree camera

Park with peace of mind. The duo of Active Parking Assist and 360° camera helps you when looking for a parking space as well as when entering and leaving a parking space and manoeuvring. The all-round visibility thanks to the 360° camera including a virtual bird's-eye view is particularly impressive.



## Adaptive Highbeam Assist Plus

Drive with permanent main beam. This virtually turns night into day and takes the strain out of driving. See far, don't dazzle – the Adaptive Highbeam Assist Plus works according to this motto. The intelligent system masks out oncoming traffic or vehicles in front with highly precise LEDs. You do not have to keep on changing over to dipped-beam headlamps.



## Knee airbag

The knee airbag protects your legs from contact with the steering column or the dashboard in a severe frontal crash. This can prevent or lessen the severity of injuries. The air cushion inflates in milliseconds and stabilises the whole body. This ensures that the entire restraint system including the seat belt work together optimally.

## Paintwork

Polar White (Non-metallic)



Mojave Silver



Iridium Silver



Obsidian Black



## Paintwork

Selenite Grey



Emerald Green



## Upholstery

Enjoy a high-class atmosphere, thanks to exquisite designo Nappa leather featuring a new pleated design.



Nappa leather, Mahogany Brown/Macchiato Beige



Nappa leather, Black

## Trim

The trims in real woods lends your interior an individual look. They blend in harmoniously while also creating exciting contrasts.



**Anthracite open-pore oak wood trim**



**Brown open-pore walnut wood trim**

## Roof liner



designo roof liner in Nappa leather, Macchiato Beige



Roof liner in DINAMICA microfiber, Black



## Alloy

55.9 cm (22-inch) Maybach multi-spoke light-alloy wheels, painted in high-gloss black with a high-sheen finish, including fully integrated wheel bolt covers.





Mercedes-Maybach GLS

# MANUFAKTUR

## designo Leather Package

The designo Leather Package enhances the Maybach aesthetics of the interior with exquisite materials. You are surrounded by the finest Nappa leather up to the roof liner, which features additional topstitching. You get exclusive upholstered cushions with “Maybach” logo for the seats and leg rests take seating comfort in the rear to a first-class level.



## designo Exclusive leather package

With an option of an additional designo Exclusive Leather package, you can round off the automotive masterpiece with even the window frame being finished in the finest black Nappa leather. The side dashboard covers on the driver and front passenger sides are also appropriately finished in the appointments colour.



## Upgrade your senses: First-Class rear compartment

Travel in as much comfort as on a private jet: The First Class rear suite adds an especially luxurious interior to the driving characteristics. Your Maybach is equipped with two full-fledged individual seats in place of the continuous bench seat and offers easy access to the MBUX rear tablet integrated into the centre console.

- Continuous centre console between the rear seat backrests
- Armrest with stowage area for MBUX rear tablet
- Temperature-controlled cup holder and stowage compartment between the rear footwells, covered by a wood trim element with sliding lid
- Cover in wood décor which continues the waterfall motif of the boot separator
- Two luxury individual seats in the rear:
  - Power-adjustable fore/aft position and seat back angle



## Folding tables

Create a mobile office with two desks in the rear. Two folding tables transform the Business Console of the First-Class rear suite into a comfortable work area in no time at all. The stowage trays provide space for a notebook or documents. To match the refined environment they are finished in high-quality leather.

## Refrigerated compartment

Celebrate every moment: Cooled drinks and food always to hand. The refrigerated compartment is incorporated harmoniously into the rear armrest. As such you can enjoy refreshing cold drinks even when the outside temperatures are high.

- Interior lighting
- Mounting option for two champagne flutes



## Champagne flutes holder

Round off the luxurious atmosphere in your vehicle's rear passenger compartment: these inserts provide a stylish mounting option for 2 champagne flutes. The tailor-made flute holders in the refrigerated compartment and in the rear centre console are perfectly matched to the exclusive Maybach champagne flutes.



## Wood/leather multifunction steering wheel

The wood/leather multifunction steering wheel combines fine materials with innovative ease of operation. Ergonomically arranged Touch Control buttons enable intuitive control of functions such as navigation, telephony, cruise control or entertainment. So you have everything under control without taking your hands off the steering wheel.



## MBUX Head-up Display

The head-up display transforms your windscreen into an exciting digital cockpit, always giving you a direct view of key information.

## MBUX Rear Seat Entertainment System

Two permanently integrated full-HD 11.6-inch (29.4cms) touchscreens with full-HD camera with Direct access to:

- MBUX multimedia system: Radio/media/internet
- Navigation and trip planning function
- Own media via screen mirroring function
- Power seat adjustment
- All sun-blinds control





## ENERGIZING packages

Comfort for all the senses: This package bundles together special equipment with innovative intelligence. Your Maybach is able to vitalise you in targeted ways – for prolonged alertness at the wheel and a pleasant drive. With up to Eight comfort programmes.

- ENERGIZING comfort with five programmes
- ENERGIZING COACH
- Seat heating for driver and front passenger
- AIR-BALANCE package for fragrancing, ionisation and filtering of the interior air
- Ambient lighting with programme-specific lighting moods

## ENERGIZING package Plus

- ENERGIZING comfort with eight programmes
- ENERGIZING COACH
- Multicontour seats for driver and front passenger
- Climate-controlled seats for driver and front passenger
- AIR-BALANCE package for fragrancing, ionisation and filtering of the interior air
- Ambient lighting with programme-specific lighting moods



## E-ACTIVE BODY CONTROL

On any road, or even off, E-ACTIVE BODY CONTROL acts to optimize driving feel, yet minimizes the motions felt by passengers.

Superior handling in every situation: the synthesis of comfort, precision and dynamism – combined with unique off-road qualities. Experience the first-class effects of a modern, fully active suspension designed to compensate for pitch, roll and shocks.

Enables you to use 3 innovative functions: the ROAD SURFACE SCAN, the Active Curve Tilting Function and the Recovery mode.



## Driving Assistance Package Plus

The Driving Assistance Plus Package offers maximum comfort and safety on the road. To supplement the Driving Assistance Package, you receive PRE-SAFE® Impulse Side for additional protection in side collisions caused by third parties.



## MAGIC VISION CONTROL

Greater visibility, greater safety: the innovative MAGIC VISION CONTROL system ensures perfect visibility – even during the wiping process. It makes use of intelligent, heated water ducts in the windshield wipers. These spray washer fluid directly onto the windshield in front of the wiper blades – precisely where it is needed.



## Warmth Comfort Package

A pleasant sense of well-being on board: the Warmth Comfort Package brings certain interior elements up to the right temperature in no time. The pleasant warmth surrounds you and your passengers from all sides –seats, armrests of the centre console and in the doors plus the door centre panels are all heated. Three heating levels enable an individually selectable temperature.

## URBAN GUARD vehicle protection

Provides all-round monitoring as it comprises an anti-theft alarm system plus tow-away protection which is able to detect changes in position of your car. Movement in the interior also triggers visual and audible warnings. The theft and parking collision detection from Mercedes me notifies you of any attempt to tow away the vehicle when it is parked and locked. You also receive an immediate notification on your smartphone if your car is hit.



## MANUFAKTUR Paintwork

designo Diamond White Bright



designo Hyacinth Red



Maybach two-tone paint Emerald Green / Mojave Silver



Maybach two-tone paint Obsidian Black / Rubellite Red



## MANUFAKTUR Paintwork

Maybach two-tone paint Obsidian Black / Kalahari Gold



Maybach two-tone paint Iridium Silver / Selenite Grey



Maybach two-tone paint Iridium Silver / designo Diamond White Bright



## MANUFAKTUR Upholstery

Enjoy a high-class atmosphere: thanks to exquisite Nappa leather featuring a new pleated design. When it comes to leather quality, the experts from Mercedes-Benz apply the strictest of criteria.



Nappa leather designo crystal white / silver grey pearl

## MANUFAKTUR Trim



designo high-gloss brown lightlines lime wood



designo high-gloss black flowing lines piano lacquer

## MANUFAKTUR designo roof liners



Nappa leather, Crystal White



Nappa leather, Black



DINAMICA microfibre, Macchiato Beige



## Alloy

58.4 cm (23-inch) Maybach multi-spoke forged wheels in high-gloss polished ceramic, including fully integrated wheel bolt cover.



## Genuine Accessories

Make your Mercedes-Maybach GLS even more promising. Additional charges apply.



### Flacon Perfume Atomiser

Forest mood

Experience the slow entering of the deep, dark green forest, a stream glistens in the distance and an aromatic sense of pebble stones warmed by the sun and soft to the touch in your hand. A crumbling tree stump emits an intensive fragrance that radiates a delicate melancholy. The view into a valley and its broad expanse and beauty, with its diverse shades of green revives freshness and inspires new adventures.



### Flacon Perfume Atomiser

Nightlife mood

The Nightlife Mood is enriched with complementary woody notes that give the perfume body. Cool spices such as cardamom and pink pepper give a freshness to the top notes. And the hint of a particular aldehyde balance adds a subtle cognac effect. In the base notes the wood tones combine with frankincense, ambergris and vanilla to create a soft, silky elegance. The winning composition of touch, smell, looks, comfort, sound and style adds to the feeling of enjoyment behind the wheel and the general sense of well-being on board. Step inside and feel an instant affinity to the vehicle's character.



### Mercedes-Benz Bluetooth headphones

Optimum fit and high-wear comfort for perfect listening pleasure even over extended periods. The headphones allow wireless transmission between the headphones and audio source. Thanks to the 3D sound effect, the headphones offer a spacious sound experience and the Hybrid. Phone calls can also be made via the Bluetooth headphones. They come equipped with Active Noise Cancelling and Transparency Mode. Touchpad on the right earpiece allows simple and intuitive operation of every function

## Genuine Accessories

Make your Mercedes-Maybach GLS even more promising. Additional charges apply.



### Champagne Flute

Exclusive, solid silver-plated Robbe & Berking champagne flute for insert in the rear center console.

- Height 19.2 cm
- Capacity 0.2 liters



### KIDFIX XP child seat, with ISOFIX

Support and safety for older children: The KIDFIX XP child seat, specially tested and designed for Mercedes-Benz vehicles, is suitable for children with body weight of 15 to 36 kg. With its exemplary side impact protection, large, soft-upholstered seat side bolsters for increased protection and a robust head restraint



### Mercedes-Benz Roof Box 450

Available in different color variants to coordinate with your paintwork.

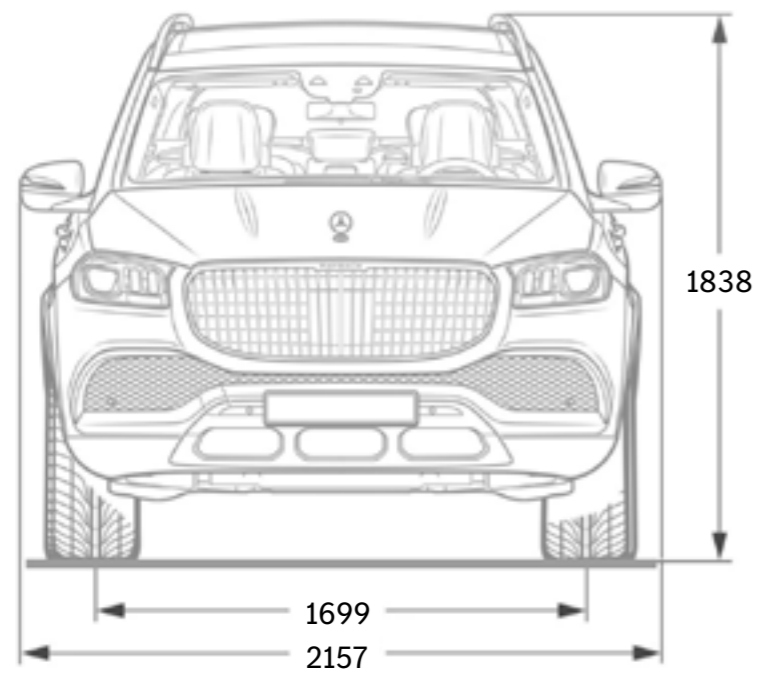
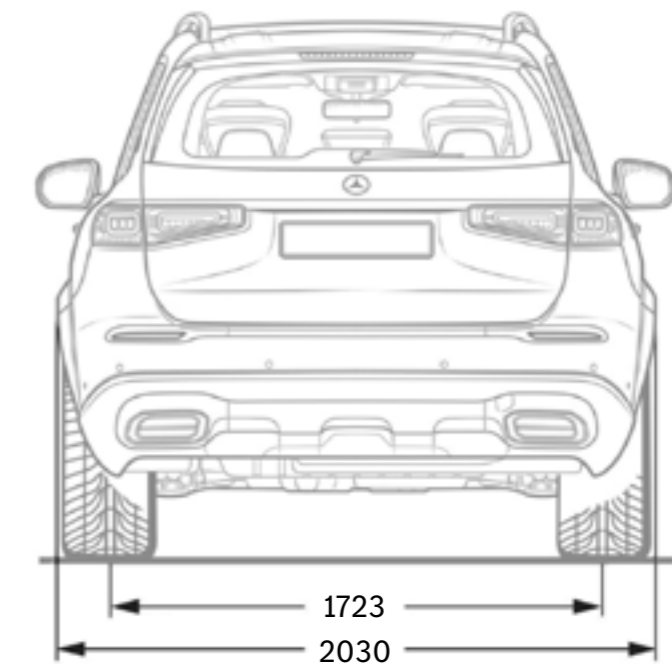
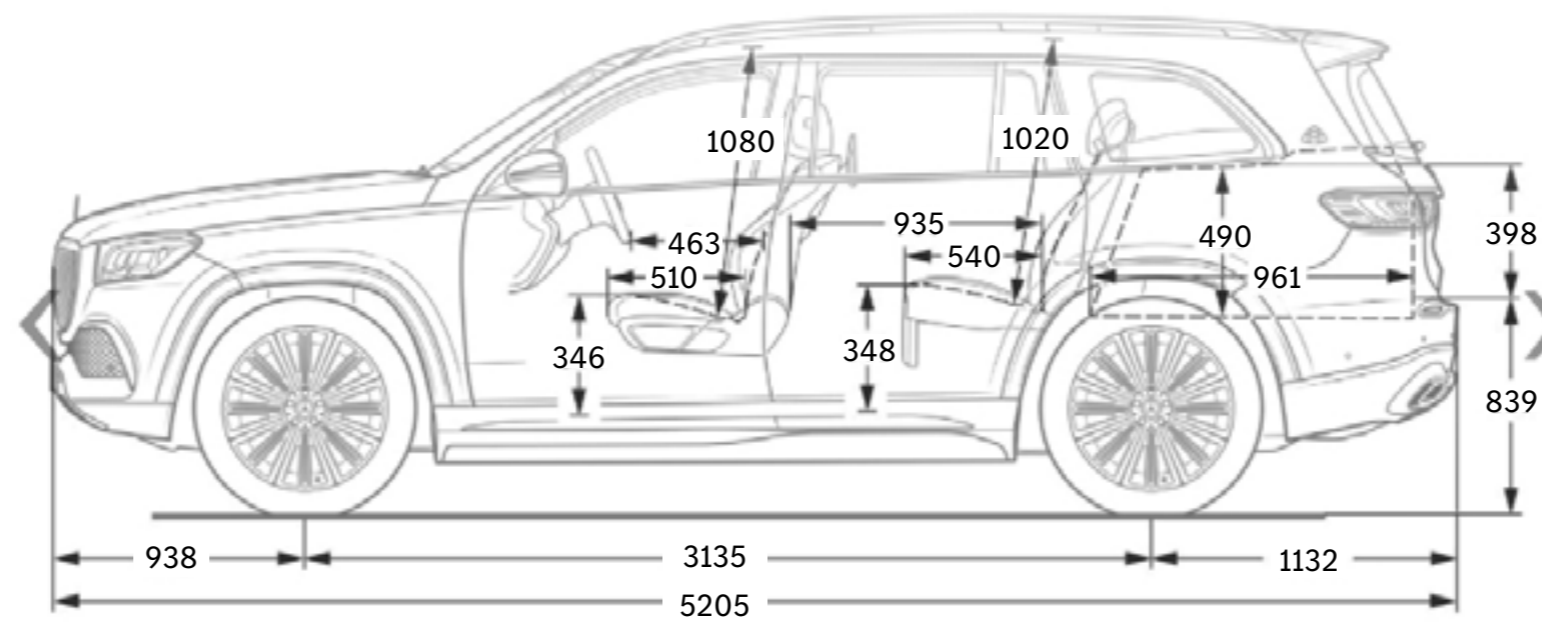
- DUROKAM thermoplastic (modified ABS)
- UV-resistant, dye-permeated material
- Impact-resistant, sturdy, durable, recyclable, spray-protected.
- Opens on both sides.
- Single lock system with 3 locking mechanisms on each side.
- Gas-filled struts for easy opening and closing of lid.
- Straps to hold contents in place.
- Maximum load capacity of 75 kg. Unladen weight 20 kg.
- Roof box allows transport of winter and summer leisure accessories, including skis, snowboards, diving equipment, etc.

## Technical Data

### Mercedes-Maybach GLS 600 4MATIC

Total Displacement (cc)	3982
No./Arrangement of cylinders	V8 biturbo with EQ Boost
Transmission	9G-TRONIC
Rated Output (kW (HP) @ rpm)	410 (557) @ 6000 - 6500
Rated Torque (Nm @ rpm)	730 @ 2500 - 4500
On-board Electrical System	48 V
Acceleration 0-100 (s)	4.9
Top Speed (km/h)	250
Fuel Tank Capacity/reserve (l)	90/9
Gross Vehicle Weight (kg)	3250
L x W (ORVM) x H	5205 x 2157 x 1838

The integrated starter alternator (ISG) electrically supports the combustion engine in certain operating states with up to 15 kW of additional power and up to 200 Nm more torque. You will particularly notice this benefit when you accelerate. On the other hand, electric support of the combustion engine also brings fuel consumption advantages. The ISG operates with a separate 48 V on-board electrical system.

**Front****Rear****Side**



**My Mercedes. My Service**

## **Advance Assurance Program**

### **Extending your warranty coverage**

With Advance Assurance Program, experience complete peace of mind. While this Extended Warranty Program kicks in the moment your standard 3 years warranty comes to an end, it can be extended further up to 6 years at a nominal price. Also, it comes with a bouquet of privileges for a worry-free time with your Star.

## **STAR EASE**

### **Delivering the best-in-class value**

Servicing your Star does not get any better than this. With the STAR Ease Maintenance Packages, pay a defined cost of maintenance based on the model, contract period and mileage and say goodbye to spending on service every time. Plus, enjoy exclusive features like priority handling, shorter waiting time and quicker processes.

## My Mercedes. My Service

### MOBILO

#### Providing you 24x7 mobility support

Your vehicle comes with Mobilo which provides round-the-clock on-road assistance service. Mobilo comes as a standard for 3 years and can be extended further up to 8 years at a nominal cost. This service offers privileges like vehicle towing facility, replacement vehicle, hotel accommodation, just to name a few.

### Digital Service Drive

#### Ensuring convenience and transparency of service.

Servicing your Star is the last thing you will ever have to worry about. We provide transparent, convenient and hassle-free service. Our customer-friendly service features work around your busy schedule so that you have one less thing to focus upon.





**My Mercedes. My Service**

## Mercedes-Benz Genuine Parts

### Now with 2 years\* of warranty

Mercedes-Benz Genuine Parts are crafted to the state-of-the-art standards of Mercedes-Benz, protecting your vehicle's performance while maintaining the style, comfort and safety, for the years to come. Also, they come with a warranty of up to 2 years, ensuring you a peaceful ownership experience with your Star.

## Premier Express\*

### Because we value your time as much as you do.

Life gets busy and so we have designed Premier Express, our vehicle care service to help you get in and out quickly. While the visit will be brief, the service offered by our technicians will be comprehensive and complete. All to ensure your Mercedes-Benz is running for miles to come.



## My Mercedes. My Service

### Mercedes-Benz Approved Tyres and Rims

#### Ensuring every ride is a safe and joyful one

Maximise the safety and comfort of your Star with Mercedes-Benz approved tyres and rims. While the Mercedes-Benz approved tyres are designed to optimally match your car's performance, the Mercedes-Benz approved rims are designed to lend an exceptional style to the exterior of your Star and are also engineered for optimal performance.

### Mercedes-Benz Genuine Chemical Products

#### Because your Star deserves nothing but the original

Mercedes-Benz Genuine Chemical Products are specially tested for compatibility with the materials in our cars and meet the high quality standards. Also, our products have been approved under Mercedes-Benz Group AG's strict, self-imposed environmental norms. Now with Mercedes-Benz Genuine Chemical Products, experience a whole new world of superior products that support throughout the car's life cycle.





Mercedes-Benz India Private Limited: E-3, MIDC Chakan - Phase III, Chakan Industrial Area, Kuruli & Nighoje, Tal: Khed, Pune - 410 501 (India) Toll free No.: 0008000501888. e-mail: cs.ind@cac.mercedes-benz.com, website: www.mercedes-benz.co.in Please note: This brochure is intended for general information, description and illustration of the Product including optional functions and equipment and may not be specific to a Product since specification of a product may change from time to time. Optional features, functions and equipment etc. may not be present in the Standard or Variant Product or Special Edition Product. Further, Standard specifications of a product may also vary from time to time. Colours may differ from those shown in pictures in the brochure. Mercedes-Benz India reserves the right to make changes without prior notice, in design, colours, materials, components, equipment, specifications, features, functions, make and models etc. The information given in this brochure shall be regarded as accurate at the time of launch and may vary thereafter due to any developments or any other reason. Interested customers should reach out to the Authorised Franchise Partner for further information on the exact specifications, features of the product.

Images shown are for representation purposes only. Some of the vehicles in the Brochure are left hand drive wheel. However, Mercedes-Benz India only manufactures and sells vehicles as per the applicable motor vehicle regulations in India. All vehicles sold by Mercedes-Benz Authorized Franchise Partners shall be with right hand drive wheels only. All title, ownership rights and intellectual property rights in and relating to this brochure/magazine or publication material or any copies thereof including but not limited to copyright, logos, names, trademarks, service marks, design, text, images, links, concepts and themes are owned by Mercedes-Benz Group AG and/or its subsidiaries collectively or used under authorised license by the Mercedes-Benz Group AG. Any reproduction, transmission, publication, performance, broadcast, alteration, license, creation of derivative works or other use in whole or in part in any manner without the prior written consent of Mercedes-Benz India Pvt. Ltd is strictly prohibited. Please note that certain services are offered free of cost for a period of three (03) years and may be chargeable at the expiry of three (03) years from the date of activation of such services. If you wish to continue using those services, you may renew the same through Mercedes Me Store (as and when it is available). Please get in touch with your preferred Franchise Partner for more details. Mercedes-Benz cars: The Maybach GLS 600 4MATIC meets Bharat Stage VI equivalent emission norms. CIN - U34102PN1994PTC083160